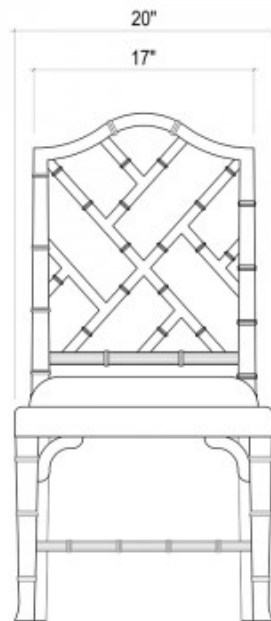
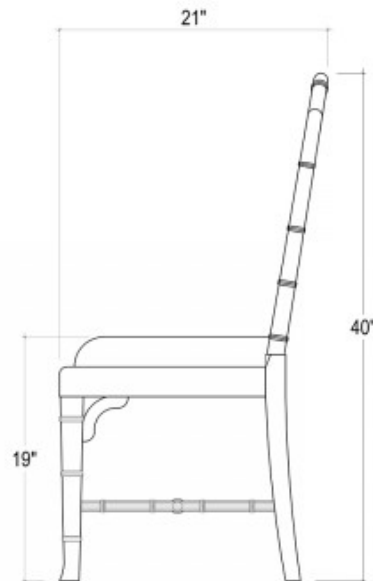


**MARTINIQUE BAMBOO DINING CHAIR**

SKU:	24315
-----	
DIMENSIONS:	20.5W x 20.5D x 40.2H in
-----	
CUBIC FEET	6.58 ft <sup>3</sup>
-----	
MATERIAL:	Mahogany
-----	
COLLECTION:	Mary Tudor
-----	
NET WEIGHT	17.64 lbs
-----	
QUICK SHIP:	No
-----	
CBM (BOX)	0.2050944 m <sup>3</sup>
-----	
NUMBER OF BOXES:	1
-----	
BOX DIMENSIONS:	23.6W x 23.6D x 45.7H in
-----	



FRONT VIEW



SIDE VIEW